



CLOUD STORAGE with Dropbox



Dropbox

Dropbox (www.dropbox.com/features) is cloud-based storage that is free to any user who signs up, and there are no advertisements. You receive 2 GB of storage for free and can earn up to 8 GB (in 250 MB increments) through a variety of very simple and non-invasive tasks, such as installing it as a folder on your computers and smartphones, or inviting friends.

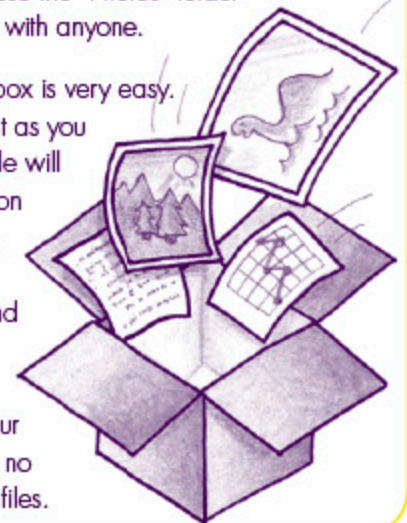
The service is secure, and the terms are written in easy-to-understand English. For example, "You retain full ownership to your stuff. We don't claim any ownership to any of it. These Terms do not grant us any rights to your stuff or intellectual property except for the limited rights that are needed to run the Services, as explained below."

Dropbox allows for collaborative sharing of documents. You can share specific folders with everyone or only with those you invite. You can access files from any computer

simply by logging in, which makes it perfect for storing your presentation slides as a backup. There is even a "Public" folder that creates a URL you may send to anyone to access that particular file, avoiding the need for attaching large files to an email. You can also use the "Photos" folder to create galleries to share with anyone.

Editing files stored in Dropbox is very easy.

You simply open the file just as you would any other file. The file will open in its native application (e.g., pdfs in a PDF viewer, docx in MS Word), and you can make any edits and changes to the file that you wish. When you save the file, it saves back to your Dropbox folder, so there is no need to upload or transfer files.



Library Remodeling Halts Book Donations

Library materials and resources will be temporarily displaced during the remodeling of the ERC and preparations for the new Center for Faculty Development in Memorial Library's lower level. The Library will not be able to accept or process any gifts of books from May 1 through September 1, 2012 because there will be no space to store donated books during this time. Please consider donating your books to our Library neighbors, as appropriate:

- Friends of the Deep Valley Libraries – books accepted the first Saturday of every month, 9:00 a.m. until 12:00 Noon, Blue Earth County Library Garage, 100 E. Main St, Mankato.
- South Central College – call Johnna Horton at 507-389-7523 to make arrangements.
- Bethany Lutheran College – call Orrin Ausen at 507-344-7350 to make arrangements.

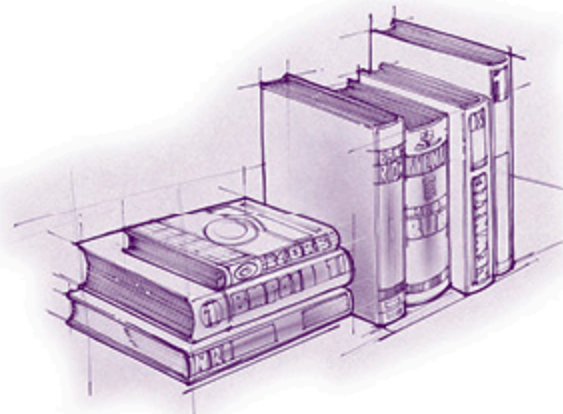
Database Spotlight:

Twentieth Century North American Drama

The seventh release of the *Twentieth Century North American Drama* database includes 1,530 full text plays by 223 playwrights. Many of the preeminent playwrights from the past century are represented in the collection: Sam Shepard, Marsha Norman, Robert Sherwood, August Wilson, and Eugene O'Neill, to name a few. New to this collection are recent works by Horton Foote, Emily Mann, Susan Sontag, Don DeLillo, and Romulus Linney.

Plays in the *Twentieth Century North American Drama* database can be accessed using a variety of indexing methods that provide the researcher new ways to find, view, and analyze the material. Authors are indexed for national heritage, gender, literary movement, occupation, and more. Additional subject headings make it possible to identify scenes and plays dealing with political and social themes, gender issues, historical events, cultural trends, and hundreds of other thesaurus-controlled concepts specific to this project.

Easy to explore, the database provides three basic ways to search the content, using the **Browse**, **Find** or **Search** tools. The **Browse** feature is divided into nine separate categories: Authors, Characters, Productions, Theatrical Companies, Resources, Years, Plays, Theatres, and Subjects Terms. The **Find** tools let you search the database for specific authors, plays, characters, scenes, theaters, productions and resources. The **Find** tools return lists of links to items in the database (but do not return the actual documents). The **Search** tools allow the researcher to analyze words and documents that occur within the text of plays, in addition to returning actual documents as well as bibliographic citations. If you have questions about using this resource, contact the Reference Desk in Memorial Library at 507-389-5958.



Honoring MSU Authors

The MSU Authors Collection is an important part of the Memorial Library's holdings because the works in this collection document the intellectual heritage of the university and the contributions of MSU faculty, staff, students, and alumni to contemporary scholarship. On April 10 at 2:00 p.m., 29 authors will be recognized at the fourth MSU Authors Reception. The event, which takes place in the Lass Center for Minnesota Studies, located on the second floor of the Library, honors faculty authors who have written and/or edited books, scores, or other monographic works with publication dates between March 2010 and March 2012. The list of 2010-2012 honorees includes:

Wayne E. Allen, Ethnic Studies
Michelle E. Alvarez, Social Work
Rick Auger, Counseling and Student Personnel
Gwen Berry, Special Education
Steven M. Buechler, Sociology and Corrections
Carrie Chapman, Educational Studies, K-12
and Secondary Programs
Daniel Cronn-Mills, Communication Studies
Kebba Darboe, Ethnic Studies
Kevin Filter, Psychology
Catarina Fritz, Sociology and Corrections
Don Glines, Emeritus, Education
Linda Good, Emeritus, Educational Studies,
Elementary and Early Childhood
Ronald Gower, Emeritus, English
Annelies Hagemester, Social Work
Geoff Herbach, English
Andrew P. Johnson, Special Education
Scott Kudelka, Water Resources Center
Lori Lahlum, History
William E. Lass, Emeritus, History
Jose Javier Lopez, Geography
Karl Matz, Educational Studies, Elementary
and Early Childhood
Cynthia A. Miller, Geography
Melissa Purdue, English
Mahbubur Rahman Syed, Information
Systems and Technology
Teri Wallace, Special Education
Dennis Waskul, Sociology and Corrections
Chad Wittkop, Chemistry and Geology
Scott Wurdinger, Educational Leadership
Vang Tou Xiong, Ethnic Studies

It is never too early to share your publishing achievements. As soon as you have published a book, score, or other monographic work, please contact the University Archives at 507-389-1029 or archives@mnsu.edu to begin the process of adding your book to the Library's MSU Authors Collection. To find out more go to <http://lib.mnsu.edu/archives/authors/intro.html>.

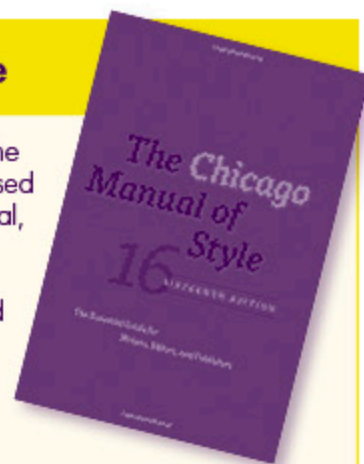
The Chicago Manual of Style Now Online

The 15th and 16th editions of The Chicago Manual of Style are now available for MSU faculty, students and staff to use online. This popular style manual can be accessed through the Library's A-Z Resource List (<http://libguides.mnsu.edu/content.php?pid=109274>). Simply follow the URL, click on the "C" tab and scroll down until you locate The Chicago Manual of Style link.

The Manual's organization includes a table of contents, list of figures, list of tables, and an index. The search box feature, located in the top right corner, can be used to locate the desired information quickly. Under the Tool tab the Manual includes a section on manuscript preparation, sample letters used by the Books and Journals Divisions of the University of Chicago Press, a chart of proofreading symbols, and the Chicago-Style Citation Quick Guide. The Quick Guide presents two basic documentation systems, the "notes and bibliography" style preferred by

many in the humanities, and the author-date system primarily used by those in the physical, natural, and social sciences.

Some of the changes reflected in the new manual include an extended discussion of the organizational and proofreading requirements of electronic publications. In response to users' comments, the new edition has moved toward recommending a single rule for a given stylistic matter rather than presenting multiple options. If you have questions about using this resource or any of our online resources, contact the Reference Desk in Memorial Library at 507-389-5958.



Library Construction this Summer

Construction begins Monday, May 7, on the new Center for Faculty Development next to the Educational Resource Center on the Library's Lower Level. Equipment checkout will be moved during the construction period; for details, stop at the first floor Circulation or Reference desks for assistance. Significant parts of the ERC will be remodeled at the same time. Be aware that the ERC will have noise, dust, temporary lighting and plastic covering some of the

book shelves from May 7 through July 27. Nonetheless, the collections and classrooms on this floor will be open through the end of summer school sessions on July 27. The entire lower level collections and classrooms will be inaccessible July 30 through August 17. The new offices and service points will be open Monday, August 20, 2012.

SUMMER SESSION SATURDAYS LIBRARY HOURS

10:00 A.M. – 5:00 P.M.

In support of students and faculty who are on campus during summer weekends, the Library will provide daytime Saturday hours from June 2 to July 21, 2012. The data we collect on usage patterns will help us determine library hours for next year's summer sessions. Sunday hours during the summer will continue unchanged from 1:00 p.m. to 9:00 p.m. For more information check the detailed schedules listed on the "Library Hours" web page at <http://lib.mnsu.edu/hours/> or call 507-389-6201 to hear a recording listing library hours and announcements.



Library Guide for the Minnesota Teacher Licensure Examinations (MTLE)

Are you or someone you know preparing to take the Minnesota Teacher Licensure Examinations (MTLE)? If so, the Library Liaison to the College of Education has developed a guide providing information on these tests such as what is on the various tests, how to prepare for the tests, strategies for taking computer-based tests, what study guides are available, accessing the schedule for MTLE orientation and coaching sessions offered by the College of Education, content of various tests, test preparation, schedule for MTLE, test registration, and more. To access this guide, please direct your browser to the Library's home page (lib.mnsu.edu) and follow the path identified below:

- > Class & Subject Guides
 - > Education
 - > Minnesota Teacher Licensure Examinations

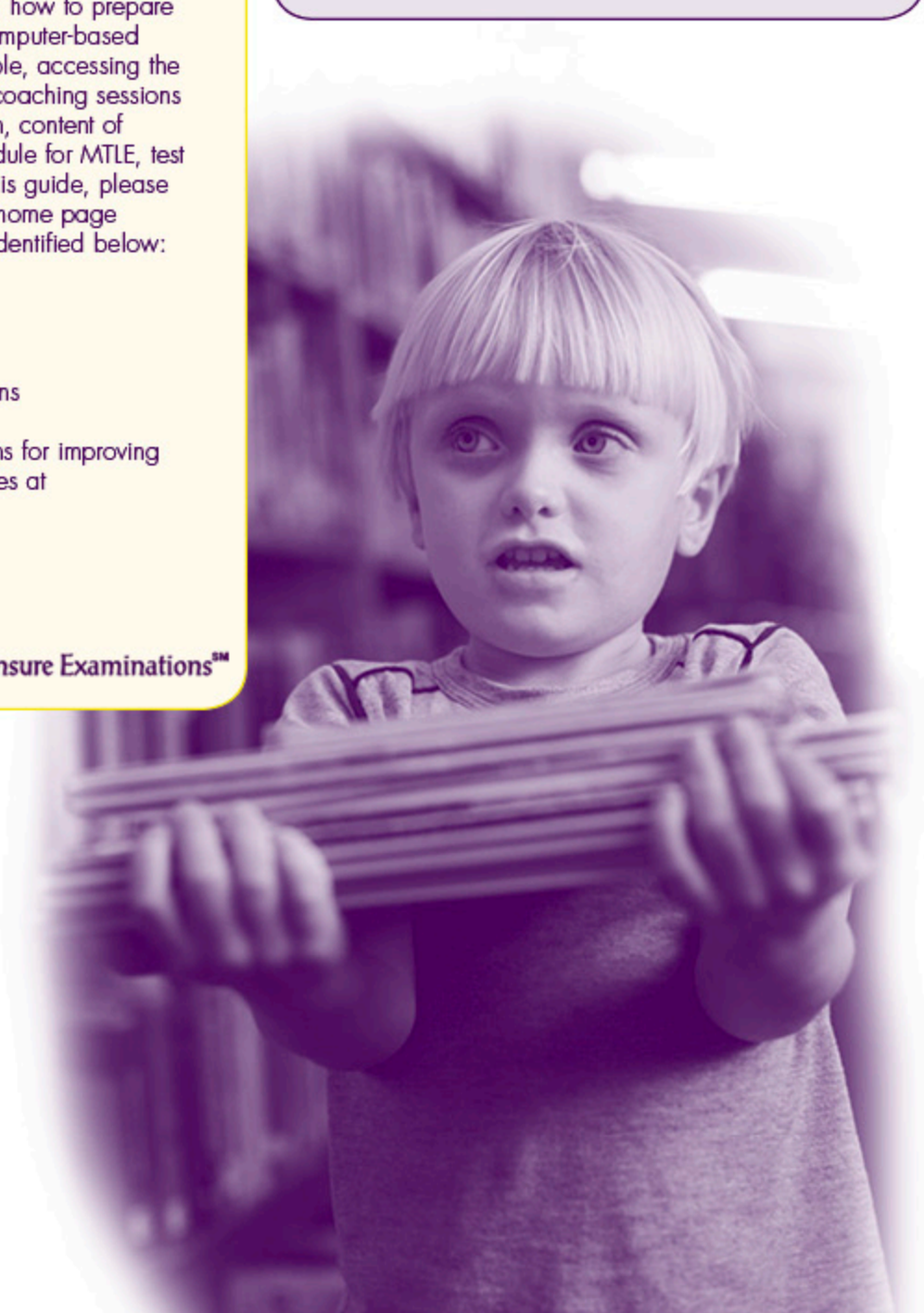
If you wish to submit any suggestions for improving the guide, please contact Lisa Baures at lisa.baures@mnsu.edu.



Sale of Used Children's Books

Saturday, April 28 7:30 A.M. to 2:00 P.M.
Myers Field House, Room MF129

Here is another opportunity to purchase used children's books at low prices. The book sale will coincide with the SC/SW Minnesota Regional Science & Engineering Fair.



MSU-ML3097, PO Box 8419
Mankato, MN 56002-8419
Phone: 507-389-5952
Fax: 507-389-5155

It is easy to follow what is happening in the Library by liking us on Facebook. Visit the Library's home page and click on the Facebook icon located on the right side of the screen. Or go to <http://www.facebook.com/memorial.library.mnsu>



Find us on
Facebook